

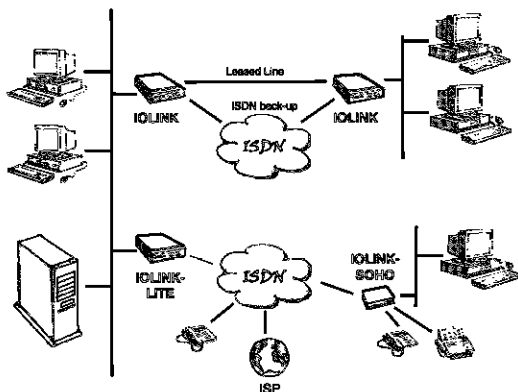
# CHASE IOLINK

## BRIDGE / ROUTERS

### Key Features & Benefits

- **Industry standard PPP-MP** for fast access to the Internet
- **IP/IPX Spoofing and Stac compression** reduces connection time and line charges
- **Built-in NetSAFE Firewall security** keeps your network safe from uninvited guests
- **ISDN & Leased Line options** provide a full compliment of bandwidth, resource and cost management features
- **Voice & Fax interface options** reduce the need for additional analogue lines
- **Free firmware upgrades via FLASH and Lifetime Warranty** ensures future proof solutions with peace of mind

### Product Application



### Product Overview

The Chase IOLINK family provides outstanding performance, reliability and cost effective bridge/routing.

Extremely flexible and easy to use, the IOLINK family offers a choice of configurations including dedicated ISDN, Leased Line with ISDN back-up, dual Leased Line or Frame Relay.

All products in the IOLINK family can operate as a bridge, providing a simple way to join geographically dispersed sites, or as a router, allowing users to build more complex inter-networks.

The IOLINK, IOLINK-LITE and IOLINK-SOHO are ideally suited for Internet access and connecting corporate-wide networks, branch offices and the Small Office/Home Office (SOHO).

# Security & Performance

The IOLINK family provides long term pay-back savings. The user takes control of individual link activation based on time, IP/IPX destination address, 2nd link activation on traffic throughput and automatic dial-up link recovery.

Stac data compression is provided to boost throughput up to 600%, depending on the type of data being transferred.

The IOLINK family meets the strictest security requirements by providing filtering based on protocol, address and on any information in the Ethernet frame. IOLINK filters tightly control access to sensitive data while authorised users can connect to the LAN at any time.

NetSAFE Firewall secures all of the stations on the local network while giving access to the web server for services that have been explicitly specified. In addition, two levels of dial-up security are provided through XID and password authentication protocols (PAP & CHAP).

## IOLINK

Based on a modular, scaleable platform, the IOLINK provides the corporate user with investment protection.

The WAN interfaces can be configured as either dual Leased Line (V.24, V.35 or X.21) or single Leased Line with a single 64 kbps ISDN interface. The second interface, be it Leased Line or ISDN, can be used to offer Bandwidth-on-Demand, connection to an additional site, or as a back-up in case of primary link failure.

PPP-MP (MLPPP) allows the IOLINK to inter-operate with any other vendors product that supports this industry standard..

There is a choice of either 10BASE-T (UTP), 10BASE2 (BNC) or AUI LAN interfaces.

## IOLINK-SOHO

IOLINK-SOHO was developed with the Small Office/Home Office user in mind. State of the art manufacturing is used to produce a power house, fully featured ISDN solution in a small package.

It automatically connects up to 10 LAN users to a remote central network and will inter-operate with Internet Service Provider (ISP) central site equipment, to provide Internet connectivity via ISDN services.

Users can remotely access and transfer files, send print jobs and send/receive e-mail. With the addition of 2 voice ports, users can connect standard telephone and fax devices reducing the number of analogue telephone lines in an office.

Multi-point connectivity is achieved using PPP-MP. Calls can be made to two separate locations or, using Bandwidth-on-Demand, the 2 "B" channels will combine when additional throughput is required. If configured with voice as a priority, data call pre-emption will drop one of the combined data channels in use to service voice or fax calls.

# IOLINK-LITE

The IOLINK-LITE is a dedicated ISDN router, designed as a cost-effective solution for the small office/branch office that requires Internet access and high-speed, error free digital communication, be it data or voice.

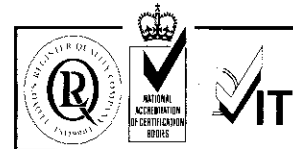
Monthly telephone charges are reduced when the IOLINK-LITE is ordered with the 2 optional voice ports for fax and phone. Users can send/receive data at 64 or 128 kbps, plus send/receive regular telephone calls over the ISDN BRI line, making an analogue line redundant.

IOLINK-LITE benefits from all the standard software features of IOLINK such as PPP-MP for interoperability and comes with both AUI and 10BASE-T (UTP) auto-sensing Ethernet interfaces.

## Technical Specification

<b>Routing Protocols:</b>	IP, IPX, RIP, SAP, ARP, Proxy ARP, ICMP
<b>Bridging Protocols:</b>	802.3/Ethernet Transparent MAC layer bridging, 802.1D Spanning Tree Protocol, Closed-loop bridging, Tail circuiting
<b>WAN Protocols:</b>	PPP-MP, X.25, HDLC/LAPB, Frame Relay, IPCP, IPXCP, BCP, CCP
<b>Protocol Spoofing:</b>	IP/IPX RIP Broadcasts, IPX Watchdogs, IPX SAP's, IPX Serialisations, TCP keepalives
<b>Other Protocols:</b>	UDP, TCP, TFTP
<b>Security:</b>	NetSAFE Firewall, PAP, CHAP, XID
<b>Network Management:</b>	SNMP, MIB II, Bridge, MIB Enterprise, MIB, Telnet, Local RS-232 console port, NMC Vision (Proprietary)
<b>Compression:</b>	Stac/Stac LZS (6:1)
<b>Link Speeds:</b>	1.544Mbps aggregate (IOLINK) 128 kbps aggregated or 2 x 64 kbps (IOLINK-LITE/SOHO)
<b>Filter Rate:</b>	14,000 pps
<b>LAN Interface:</b>	10BASE-T (RJ45), 10BASE2 (BNC), AUI
<b>WAN Interface:</b>	RS-232 (V.24), V.35, V.11 (X.21), ISDN S/T or U BRI, CSU/DSU 56/64 kbps leased line
<b>Analogue Interfaces:</b>	2 x RJ11, DTMF dialling REN 5
<b>Dimensions: (cm)</b>	
<b>IOLINK/IOLINK-LITE:</b>	5 H x 25 W x 28 D
<b>IOLINK-SOHO:</b>	4 H x 15.5 W x 11 D
<b>Weight:</b>	
<b>IOLINK/IOLINK-LITE:</b>	4.09 Kg
<b>IOLINK-SOHO:</b>	300g
<b>Approvals:</b>	NI-1 (North America), NET3 (CE Europe)

**Chase Research PLC**  
7 Cedarwood  
Chineham Business Park  
Basingstoke  
Hampshire, RG24 8WD  
United Kingdom  
Tel: +44 (0)1256 352260  
Fax: +44 (0)1256 810159  
info@chaser.co.uk  
http://www.chaser.co.uk



**Chase Research GmbH**  
Zettachring 6  
D-70567 Stuttgart  
Germany  
Tel: +49 (0)711 7287 155  
Fax: +49 (0)711 7287 156  
info@chaser.de

**Chase Research Inc.**  
545 Marriott Drive  
Suite 100  
Nashville, TN 37214  
United States  
Tel: +1 615 872 0770  
Fax: +1 615 872 0771  
info@chaser.com  
http://www.chaser.com

**Chase Research Asia**  
171 Chin Swee Road  
03-05 / 06 San Centre  
Singapore 169877  
Tel: +65 536 3630  
Fax: +65 536 3631  
infoasia@chaser.co.uk

